



LIGHTING & INTERIORS

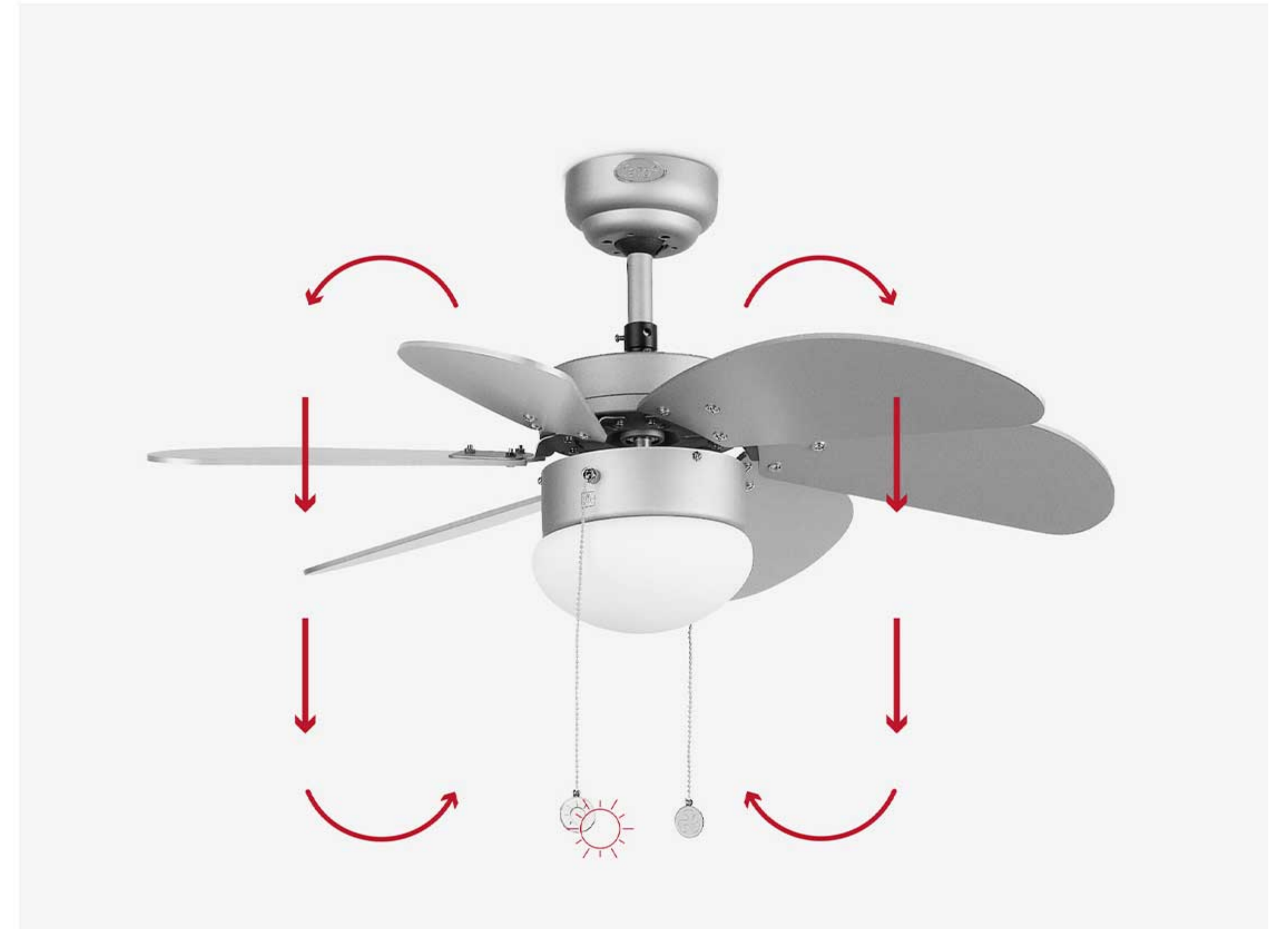
By Fantasy Lights Group

Grey Ceiling Fan With Pull Chain



Ceiling fan in grey colour with light, opal glass diffuser and pull chain. This ceiling fan is made from steel, MDF wood, glass and come with 3 dimmable speed settings of 135/190/242 rpm which corresponds to the consumption of 24/33/46W. Operated by pull chain and has winter/summer function. Ideal for inclining roof and to install directly to the roof. Also available in maple and white colour.

This ceiling fan has a reverse function which allows you to change the direction of the fan blades and use it both in summer and in winter.

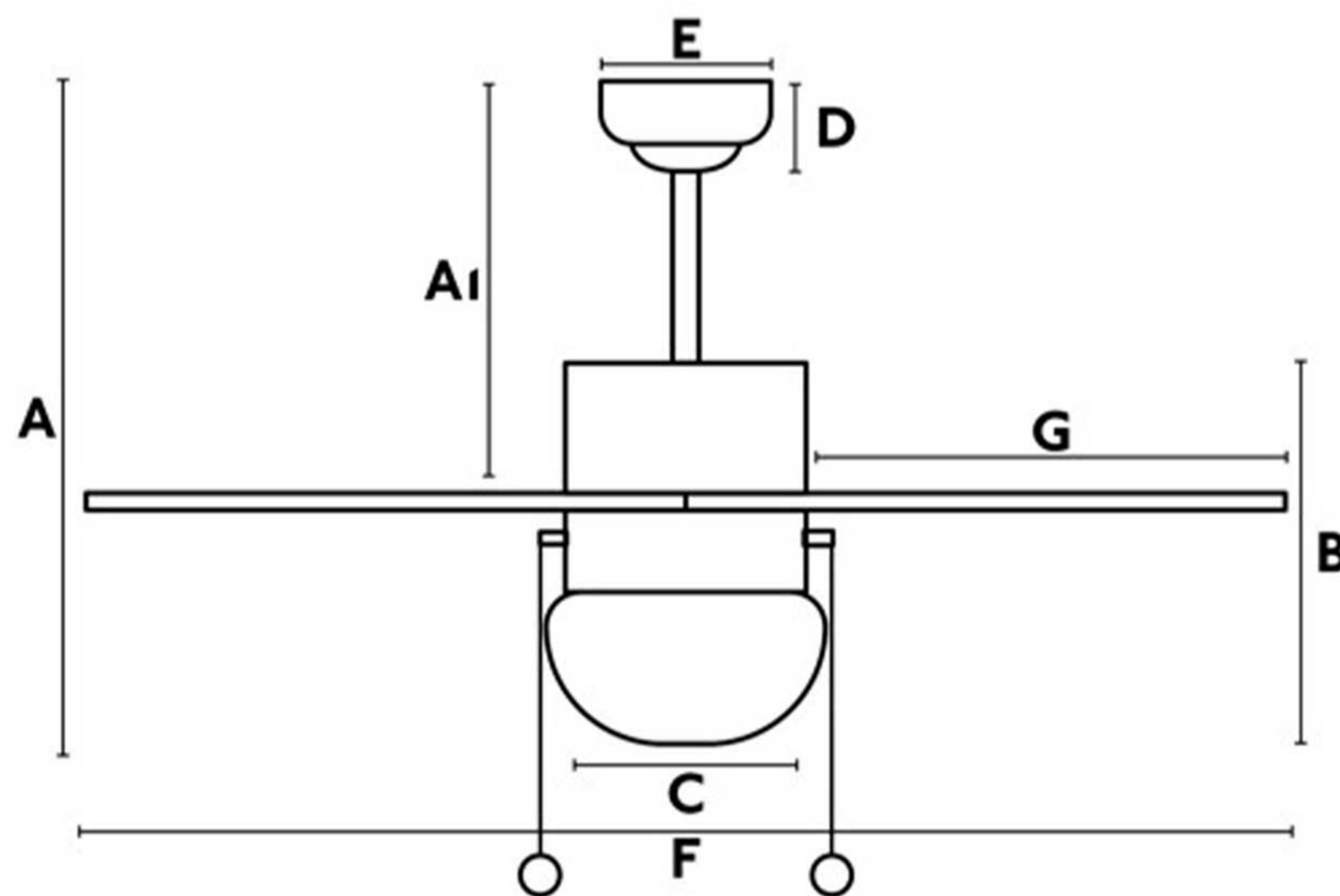




Product Specifications

• Voltage: 220V-240V	• RPM: 127-192-241	• Airflow (m3/min): 92.37
• Reverse function: Yes	• Engine type: AC	• No. of blades: 6
• Type of control included: Pull chains	• Body/Structure Steel	• Diffuser: Glass
• Blade Material: MDF Wood	• Finish: Grey	• Recommended bulb: LED E14 4W

Dimensions (in mm/inches)



A	AI	B	C	D	E	F	G
390/15,3"	260/10,2"	190/7,5"	170/6,9"	60/2,35"	ø130/5,1"	ø810/31,8"	350/13,7"



This product is classed as Electrical or Electronic equipment and should not be disposed with other household or commercial waste at the end of its useful life. The goods must be disposed according to your local council guidelines.