



LIGHTING & INTERIORS

By Fantasy Lights Group

Maple Ceiling Fan With Pull Chain



A modern maple blades ceiling fan with light, opal glass diffuser and pull chain. The ceiling fan motor is made from steel and blades from mdf wood. Setted up with 3 dimmable speeds 135/100/242 rpm which corrospond to the consumption of 24/33/46W. Operated by pull chain and has winter/summer function. Suitable for inclining roof and to install directly to the roof. Also available in grey and white colour.

This ceiling fan come with a reverse function which allows you to change the direction of the fan blades and use it both in summer and in winter.

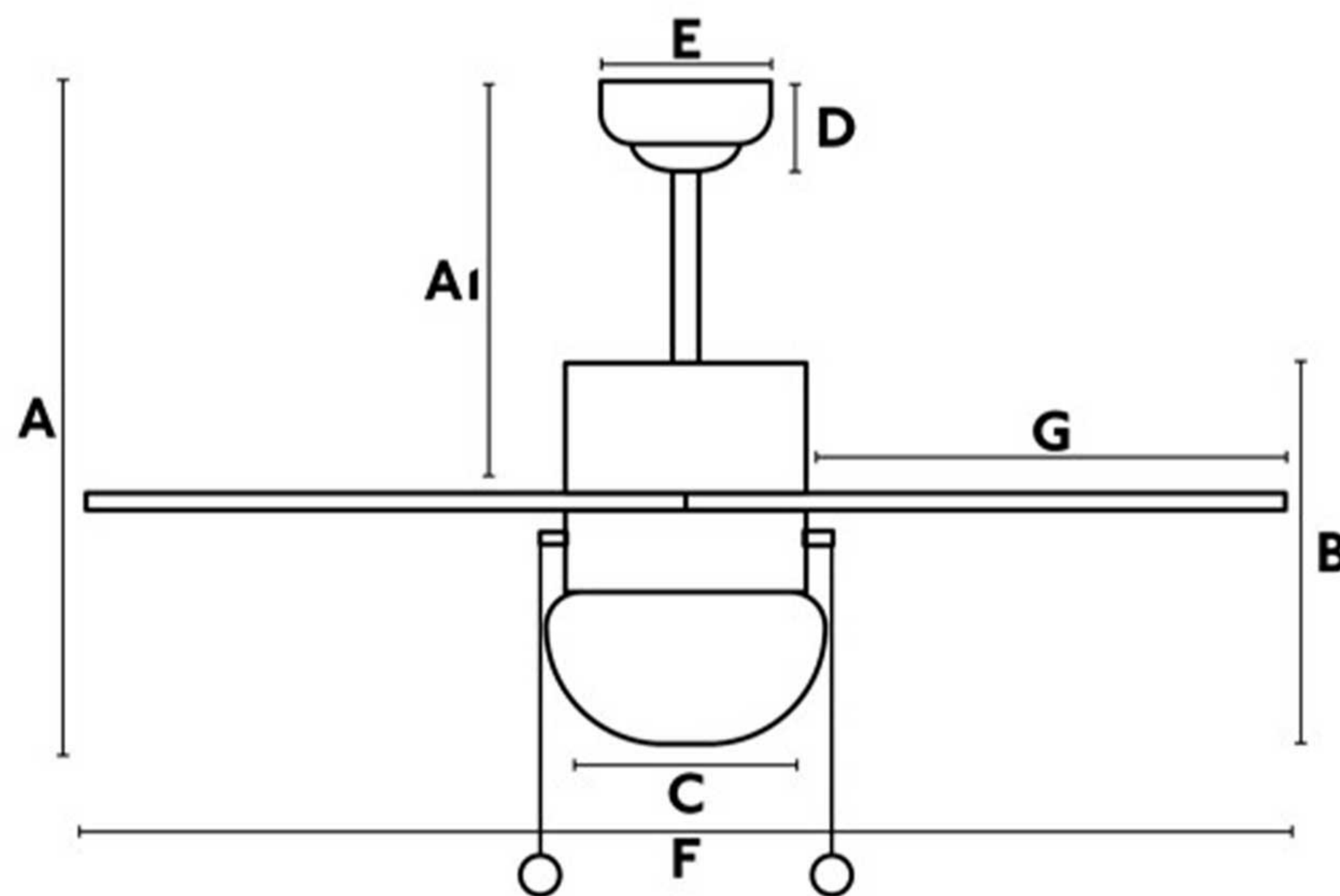




Product Specifications

• Voltage: 220V-240V	• RPM: 127-192-241	• Airflow (m3/min): 92.37
• Reverse function: Yes	• Engine type: AC	• No. of blades: 6
• Type of control included: Pull chains	• Body/Structure Steel	• Diffuser: Glass
• Blade Material: MDF	• Finish: Satin Nickel	• Recommended bulb: LED E14 4W

Dimensions (in mm/inches)



A	AI	B	C	D	E	F	G
390/15,3"	260/10,2"	190/7,5"	170/6,9"	60/2,35"	ø130/5,1"	ø810/31,8"	350/13,7"



This product is classed as Electrical or Electronic equipment and should not be disposed with other household or commercial waste at the end of its useful life. The goods must be disposed according to your local council guidelines.